

CAD Model Validation Report

CompareVidia 4.0.190729

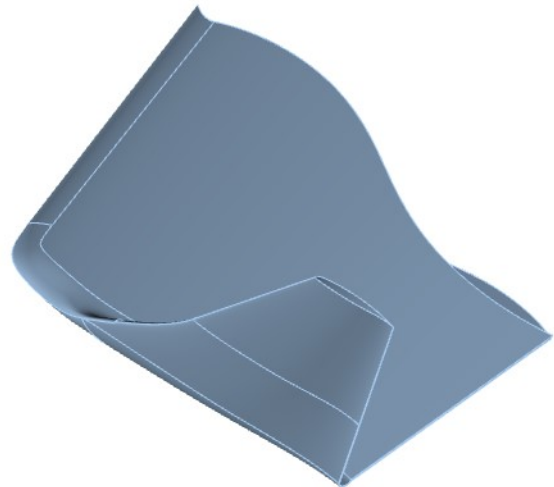
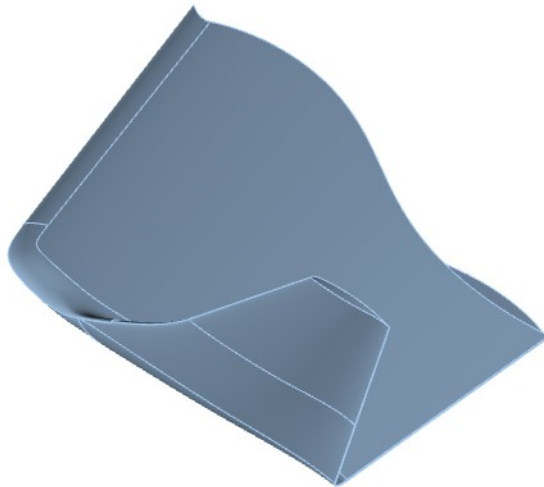


Authority:
Wingtip.CATPart

Derivative:
WingTip.SLDPRT

General Information

Initial File Name	Wingtip	WingTip.SLDPRT
Modification Date	10.09.19 01:22:37	09.09.19 21:48:35
Source System	CATIA V5	Solidworks
Format	CATIAV5R15	SolidWorks 2018
Part Number	Wingtip	
Units	mm	inch
Tolerance	0.001	3.93700787401575e-05
Document Type	Part	Part
Toolkit Version	290000	290000



Tolerance: 0.001 inch

+ All Validation Settings

- Validation Results

+ Entity Counters

- Local Check

- Deviated Bodies (1 Relations)

Authority ID	Derivative ID
5	5



+ Matched Faces (7 Relations)

- Deviated Faces (4 Relations)

- Face to Face (3 Relations)

Authority ID

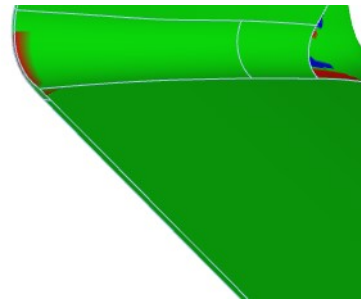
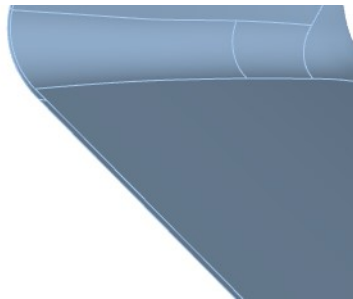
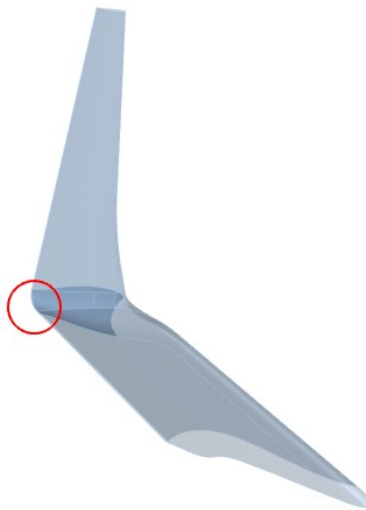
Derivative ID

Unintended Change

Deviation (+0.1567 inch)

478

829

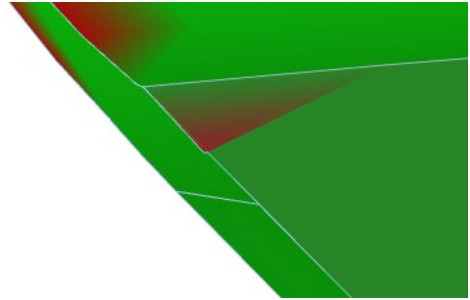
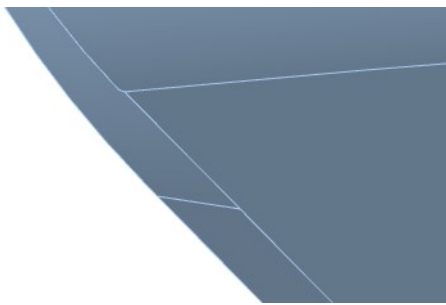
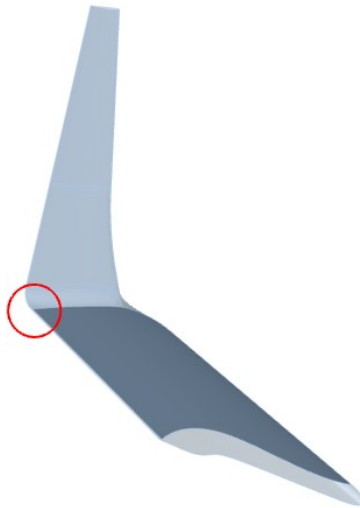


Unintended Change

Deviation (+0.0247 inch)

550

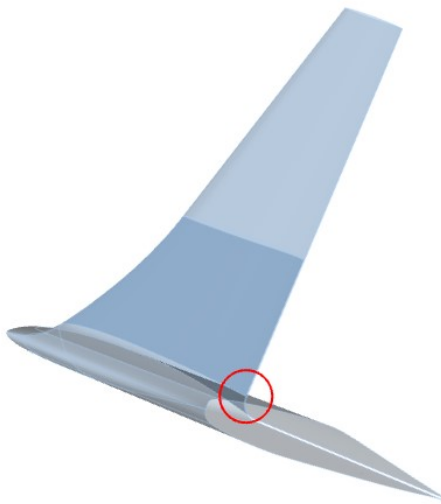
859

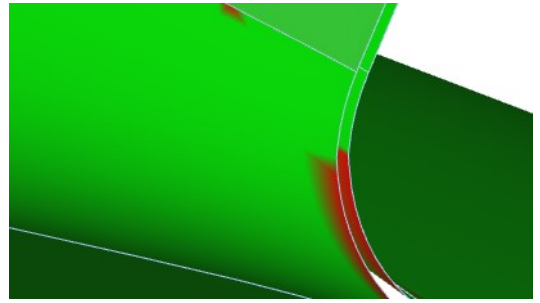
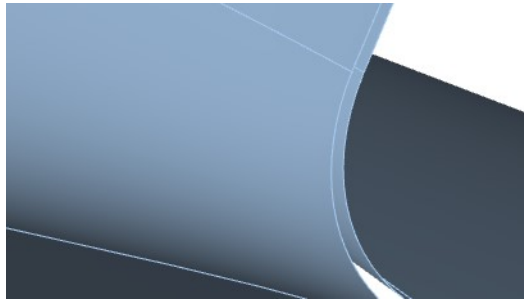


Unintended Change
Deviation (+0.0209 inch)

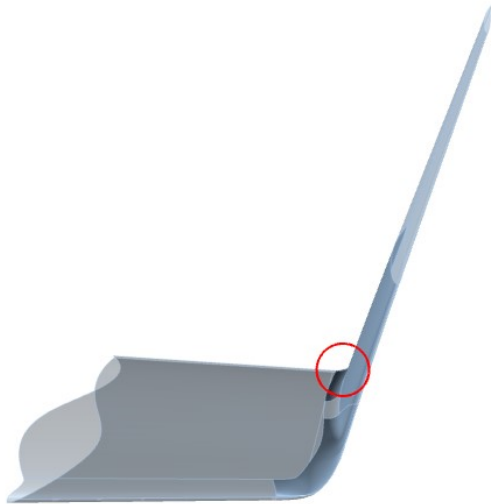
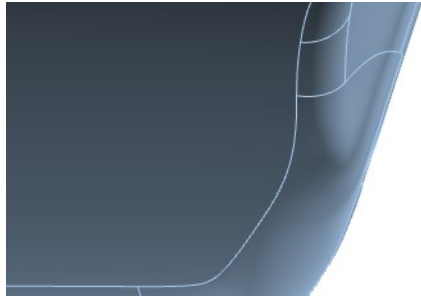
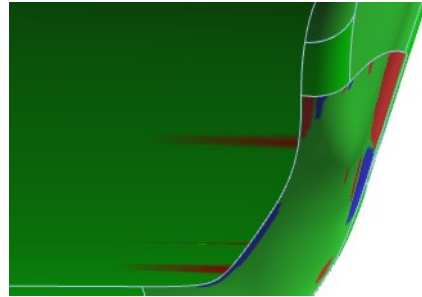
744

731





- Skin to Skin (1 Relations)

Authority ID	Derivative ID
<p>Unintended Change Deviation (+0.1552 inch)</p> <p>807 876 615</p>	<p>238 163 411</p>
  	

Validation: **failed**

Date: Tue Sep 10 14:23:50 2019

Quality : _____

